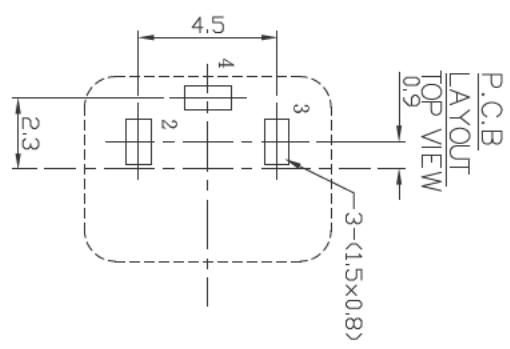
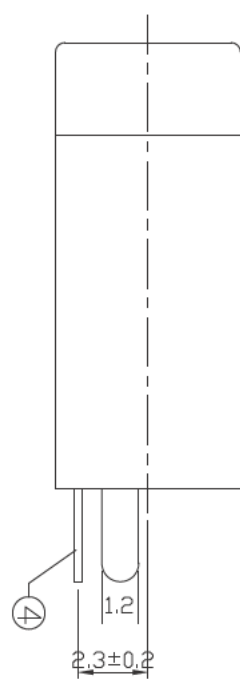
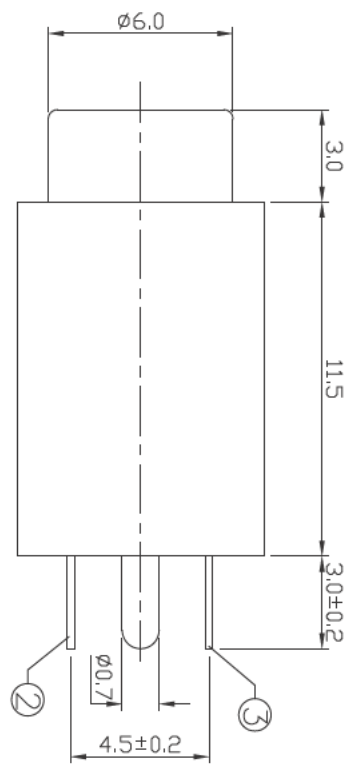
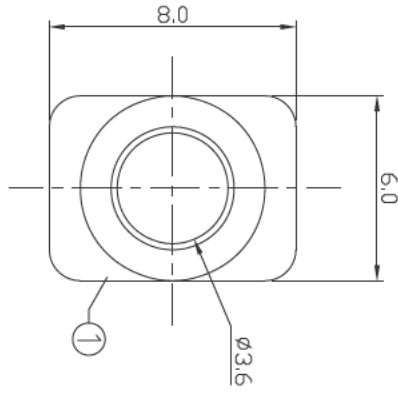
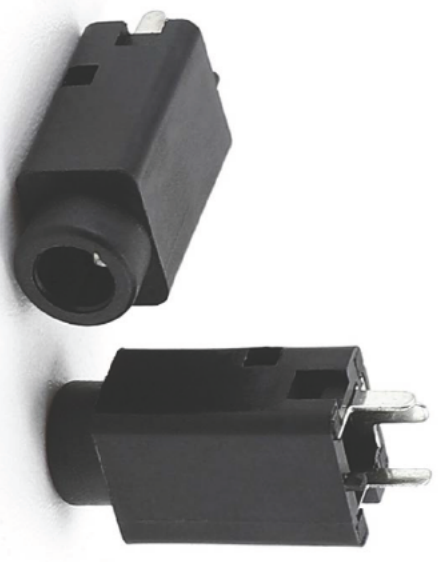
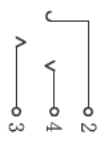


- SPECIFICATION**
1. Rating : DC 30V 0.5A;
  2. Contact resistance:  $\leq 30m\Omega$ ;
  3. Insulation resistance:  $\geq 100M\Omega$  (DC250V);
  4. Withstand voltage: 500VAC ;
  5. Insertion and extraction force: 3-30N;
  6. life test: 5,000 cycles.



**SCHEMATIC**



NO.	DESCRIPTION	QTY	MATERIAL	PLATING
4	CONTACT FOOT	1	PHOSPHOR BRONZE	Ag-Plating
3	CONTACT FOOT	1	PHOSPHOR BRONZE	Ag-Plating
2	CONTACT FOOT	1	PHOSPHOR BRONZE	Ag-Plating
1	HOUSING	1	PBT	

UNIT:MM	TYPE:	MODEL NO:	PAPER NO:	PAGE 1 OF 1
	PHONE JACK	SM C08 0359 PJ	TOLERAN. ANGLES	SCALE
			±0.3	±2
DESIGNER				1:1
CHECK				VER
APPROVED				1

**SCHMID-M**